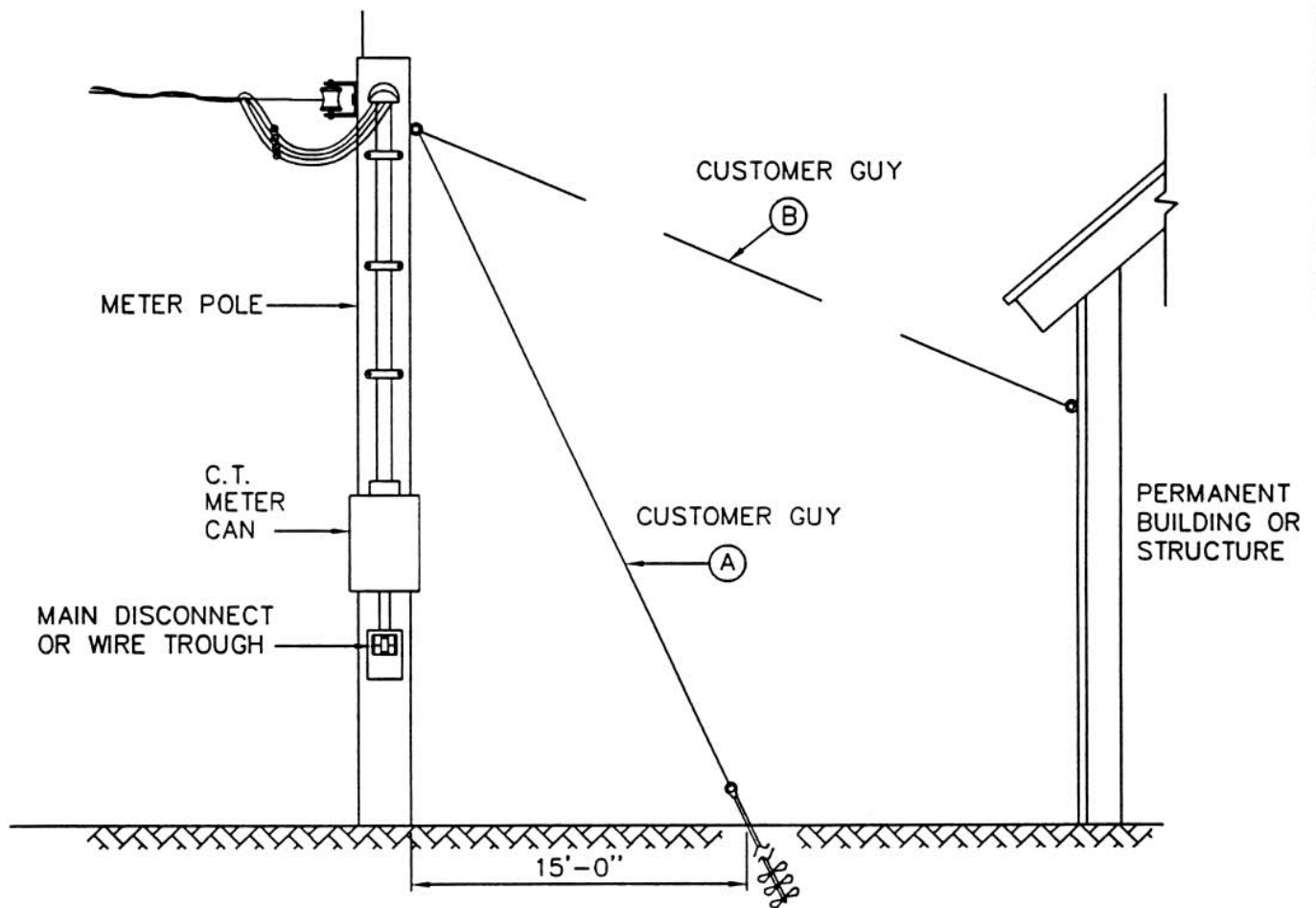


## METER POLE GUYING PERMANENT ONLY

### ADDITIONAL REQUIREMENTS FOR METER POLES OVER 200 AMPS

GUYING AS FOLLOWS:

- A. On all meter poles with main disconnects over 200 amps or a meter pole with two (2)-200 amp entrances on the same pole, the customer shall be required to install a GUY on the meter pole opposing the pull of SLEMCO's service cable. Guys required on all services 75' or over.
- B. An acceptable substitute will be an overhead guy from the meter pole to a permanent building or structure.



N:\SPECS\STANDARD\METERP2.dwg

<b>SEE NOTES</b>		SCALE: N.T.S.	
<b>SLEMCO ELECTRICAL STANDARDS</b>			
	ORIGINAL	REVISION	REVISION
DATE:	10/01/99		
DRAWN BY:	L.A.M.		
APPR. BY:			

### METER POLE GUYING

Southwest Louisiana Electric Membership Corporation  
Lafayette, Louisiana

