

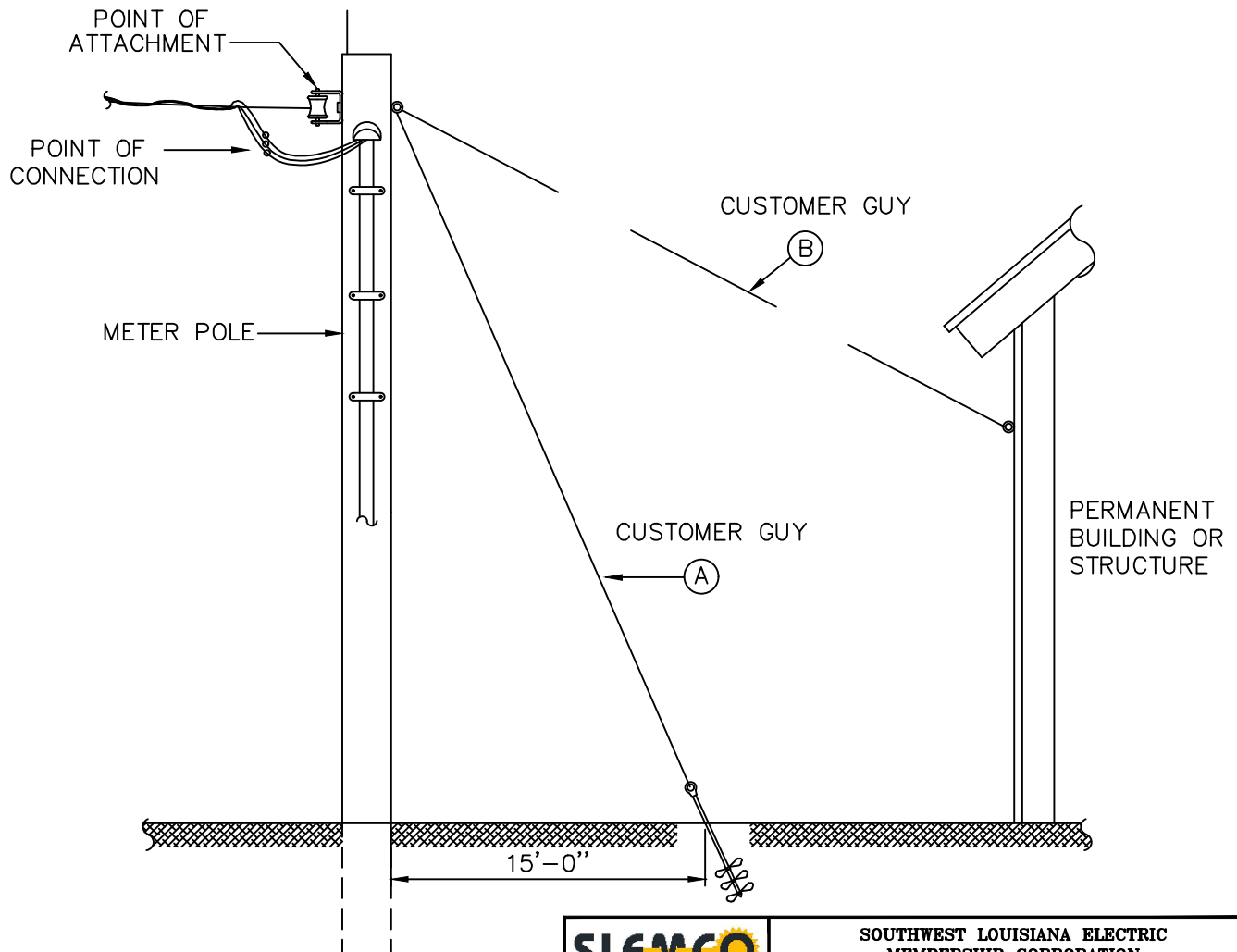
METER POLE GUYING PERMANENT ONLY

GUYING IS REQUIRED FOR ANY OF THE FOLLOWING CONDITIONS:

1. MAIN DISCONNECT IS GREATER THAN 200 AMPS.
2. TWO (2) 200 AMP MAIN DISCONNECTS ON SAME POLE.
3. A SERVICE CONDUCTOR LENGTH GREATER THAN 75'.

GUYING AS FOLLOWS:

- A. CUSTOMER SHALL BE REQUIRED TO INSTALL A GUY ON THE METER POLE OPPOSING THE PULL OF THE SLEMCO SERVICE CONDUCTOR TO THE GROUND.
- B. AN ACCEPTABLE SUBSTITUTE WILL BE TO INSTALL A GUY ON THE METER POLE OPPOSING THE PULL OF THE SLEMCO SERVICE CONDUCTOR TO A PERMANENT BUILDING OR STRUCTURE.



SLEMCO	SOUTHWEST LOUISIANA ELECTRIC MEMBERSHIP CORPORATION LOUISIANA 9 LAFAYETTE				
METER POLE GUYING					
DRAWN BY:	CREATED ON:	SCALE: N.T.S.			
REVISIONS	REVISED BY	DATE	REV.	DRAWING NO.	REV.
		01/15/97	2	7	5
		02/24/97	3		
	L. A. M.	10/01/99	4		
	L. MECHE	10/22/14	5		
ENHANCEMENT TO DRAWINGS & SPECIFICATIONS					

SLEMCO ELECTRICAL STANDARDS

APPROVED:	DATE:	PAGE NUMBER:
		24