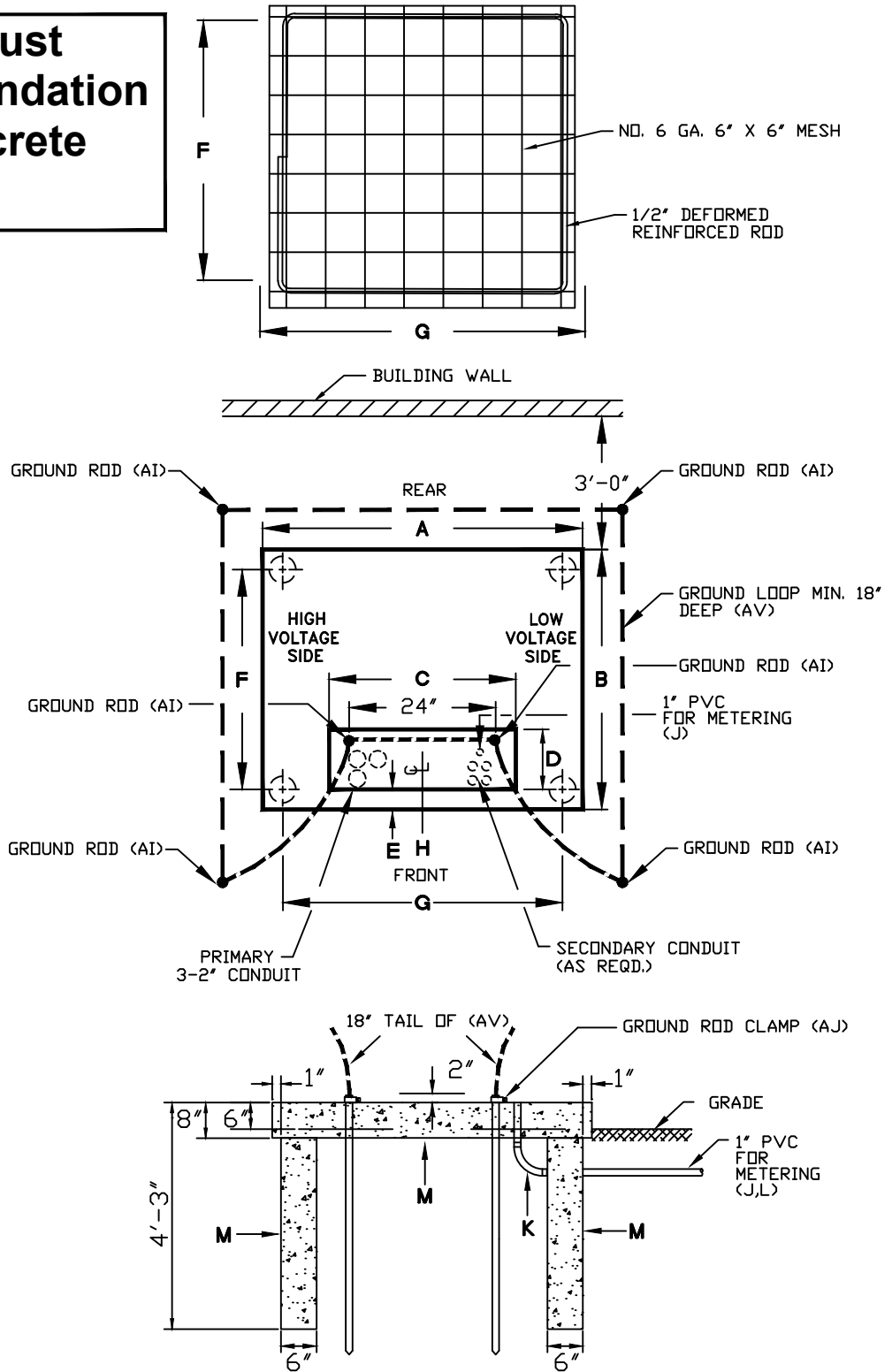


**Engineering Service Specifications**  
**Commercial Transformer Foundation Details**

**SLEMCO must inspect foundation before concrete is poured.**



NOTE: THE DIMENSIONS AND ITEMS CAN BE FOUND ON THE MATERIAL LISTS FOR UM1-14A & UM1-14B

	<b>SOUTHWEST LOUISIANA ELECTRIC MEMBERSHIP CORPORATION</b> LOUISIANA 9 LAFAYETTE		
	<b>THREE-PHASE PADMOUNT TRANSFORMER FOUNDATION</b>		

DRAWN BY:		CREATED ON: 1/16/97	SCALE: N.T.S.
REVISIONS	REVISED BY	DATE	REV.

REVISIONS	REVISED BY	DATE	REV.	DRAWING NO.	REV.
	L. A. M.	10/13/99	2	14	4
	J. C. D.	10/18/06	3		
ENHANCEMENT TO DRAWINGS & SPECIFICATIONS	L. MECHE	02/03/16	4		

SLEMCO ELECTRICAL STANDARDS		
APPROVED:	DATE:	PAGE NUMBER:
		40

**Material List**

**UM1-14A and UM1-14B**

Item	RUS	Description	Quantity									
			UM1-14A				UM1-14B					
			75 KVA	150 KVA	225 KVA	300 KVA	500 KVA	750 KVA	1000 KVA	2500 KVA		
	A	SIDE OF FOUNDATION FORM	108"	108"	108"	108"	108"	108"	108"	108"	108"	108"
	B	SIDE OF FOUNDATION FORM	108"	108"	108"	108"	108"	108"	108"	108"	108"	108"
	C	SIDE OF WINDOW	44"	44"	44"	44"	44"	44"	44"	60"	60"	60"
	D	SIDE OF WINDOW	13"	13"	13"	13"	13"	13"	13"	20"	20"	20"
	E	DISTANCE FROM EDGE OF FORM	6"	6"	6"	6"	6"	6"	6"	14"	14"	14"
	F	SIDE OF REINFORCED FRAME	100"	100"	100"	100"	100"	100"	100"	100"	100"	100"
	G	SIDE OF REINFORCED FRAME	100"	100"	100"	100"	100"	100"	100"	100"	100"	100"
	H	CENTERLINE OF WINDOW	54"	54"	54"	54"	54"	54"	54"	54"	54"	54"
	P	CONNECTOR AS REQUIRED	6	6	6	6	6	6	6	6	6	6
16522013	AV	2/0-19 STR. BARE COPPER --FEET	45	45	45	45						
16524013	AV	4/0-19 STR. BARE COPPER --FEET					45	45	45	45	45	45
17312000	AJ	5/8" GRD ROD CLAMP **EX**	6	6	6	6	6	6	6	6	6	6
53818508	AI	5/8IN X 8FT GROUND ROD	6	6	6	6	6	6	6	6	6	6
76001940	J	1" PVC CONDUIT	10	10	10	10	10	10	10	10	10	10
76211008	K	1" 90 DEG PVC ELBOW **EX**	1	1	1	1	1	1	1	1	1	1
76401010	L	1" PVC COUPLING **EX**	2	2	2	2	2	2	2	2	2	2
78400040	M	CONCRETE -CU. YARD- EX	2.25	2.25	2.25	2.25	2.25	2.25	2.25	2.25	2.25	2.25

**NOTE: SLEMCO's Field Engineer may vary the dimensions of the foundation based on the size of the transformer and site conditions.**

CPR Account	CPR Description *	CPR Quantity	
M36810040	TRANSFORMER PAD 3 PH CONCRETE	1	1

**Valid Assembly (*Construction*) Units**

UM1-14A, UM1-14B

**Valid Assembly (*Retirement*) Units**

UM1-14A, UM1-14B

Design Parameters	 3-PHASE 75, 150, 25, 300, 500, 750, 1000, & 2500 KVA PADMOUNT TRANSFORMER FOUNDATION	<b>UM1-14A</b> <b>UM1-14B</b>	
		Approved	Date