

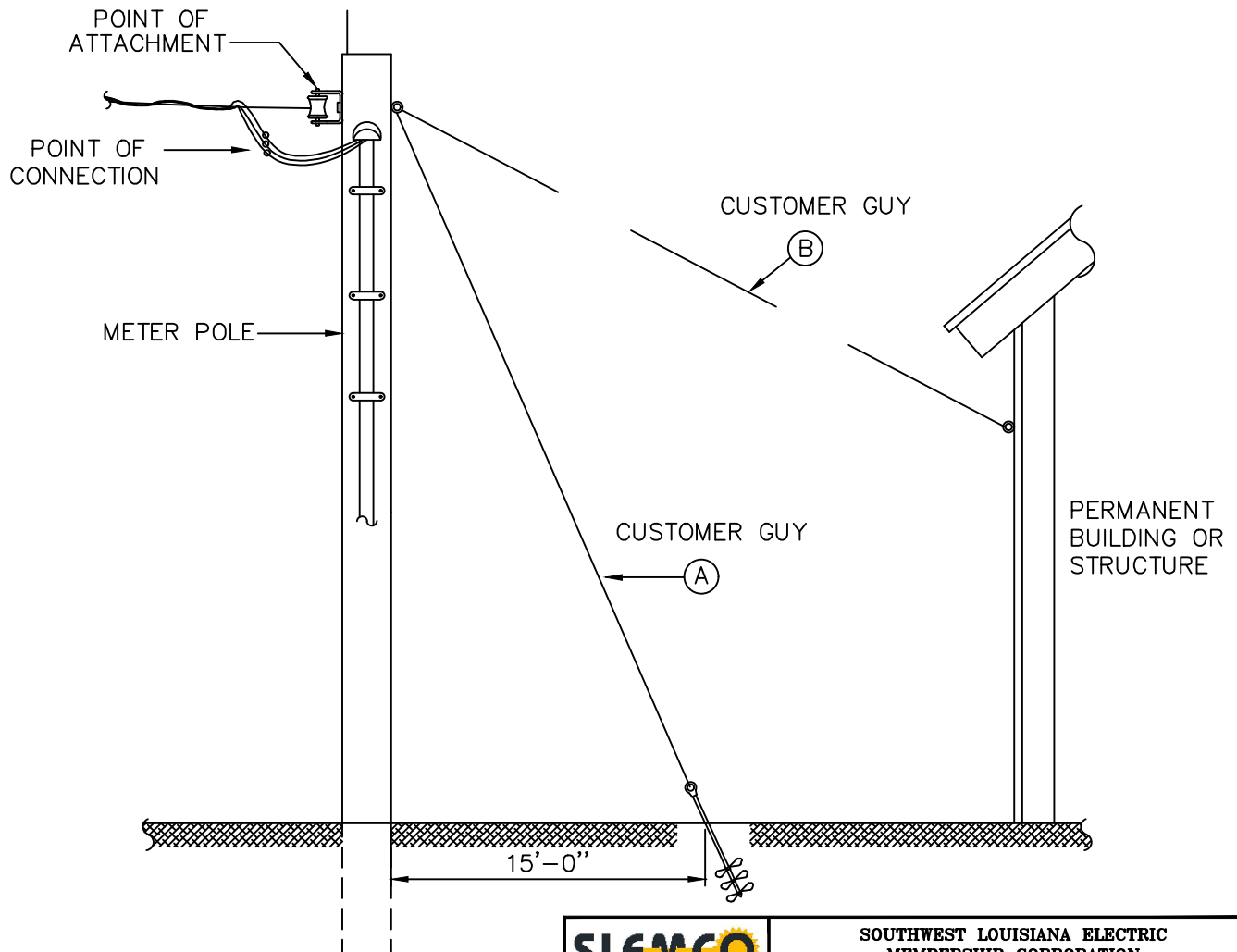
# METER POLE GUYING PERMANENT ONLY

GUYING IS REQUIRED FOR ANY OF THE FOLLOWING CONDITIONS:

1. MAIN DISCONNECT IS GREATER THAN 200 AMPS.
2. TWO (2) 200 AMP MAIN DISCONNECTS ON SAME POLE.
3. A SERVICE CONDUCTOR LENGTH GREATER THAN 75'.

GUYING AS FOLLOWS:

- A. CUSTOMER SHALL BE REQUIRED TO INSTALL A GUY ON THE METER POLE OPPOSING THE PULL OF THE SLEMCO SERVICE CONDUCTOR TO THE GROUND.
- B. AN ACCEPTABLE SUBSTITUTE WILL BE TO INSTALL A GUY ON THE METER POLE OPPOSING THE PULL OF THE SLEMCO SERVICE CONDUCTOR TO A PERMANENT BUILDING OR STRUCTURE.



<b>SLEMCO</b>	SOUTHWEST LOUISIANA ELECTRIC MEMBERSHIP CORPORATION LOUISIANA 9 LAFAYETTE	
<b>METER POLE GUYING</b>		
DRAWN BY:	CREATED ON:	SCALE: N.T.S.
REVISIONS	REVISED BY	DATE
		01/15/97
		02/24/97
	L. A. M.	10/01/99
	L. MECHE	10/22/14
ENHANCEMENT TO DRAWINGS & SPECIFICATIONS		
24	7	5

SLEMCO ELECTRICAL STANDARDS

APPROVED: \_\_\_\_\_ DATE: \_\_\_\_\_ PAGE NUMBER: 24